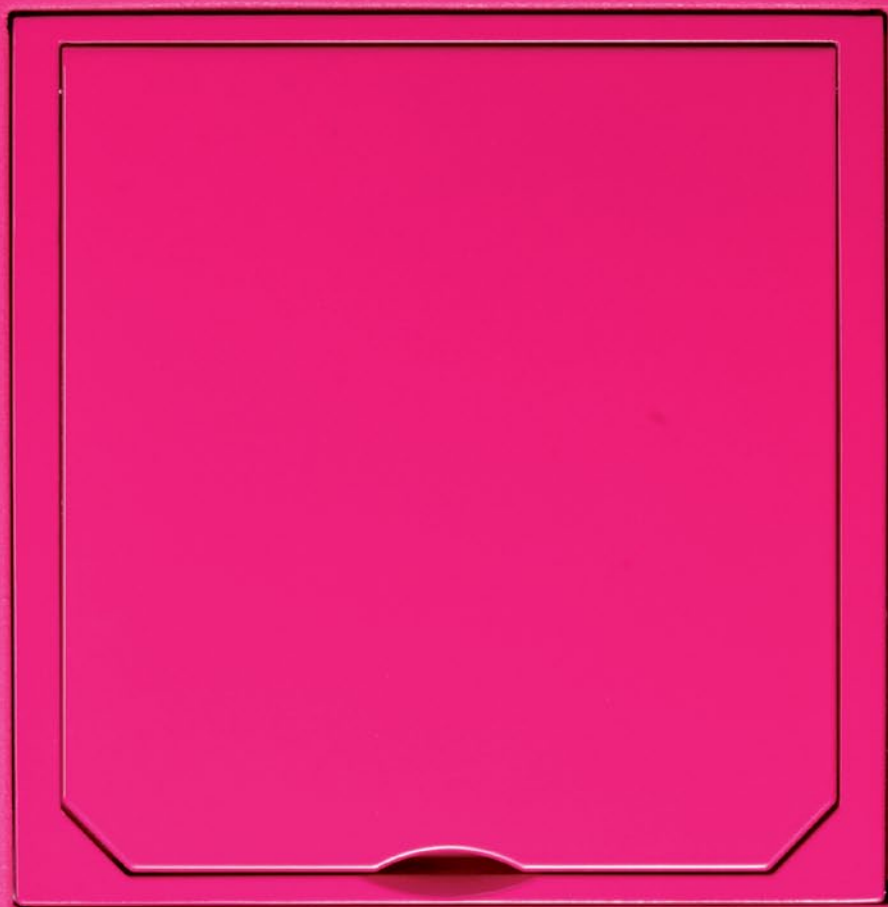




BOWA SERIES FROM ABL SURSUM
FLOOR -MOUNTED ELECTRICAL SOCKETS



BOWA.112 RAL

BOWA.112 RAL

AVAILABLE IN ANY RAL COLOUR



FAIR AND SQUARE: NOW YOU SEE IT - NOW YOU DON'T.

Thanks to ABL SURSUM's special manufacturing process, our floor and wall-mounted socket housings can be delivered in any RAL colour. Whether designed to stand out or blend into the background, there is an individual BOWA solution for any effect you may want to create. The world is a colourful place - and our BOWA sockets fit right in.

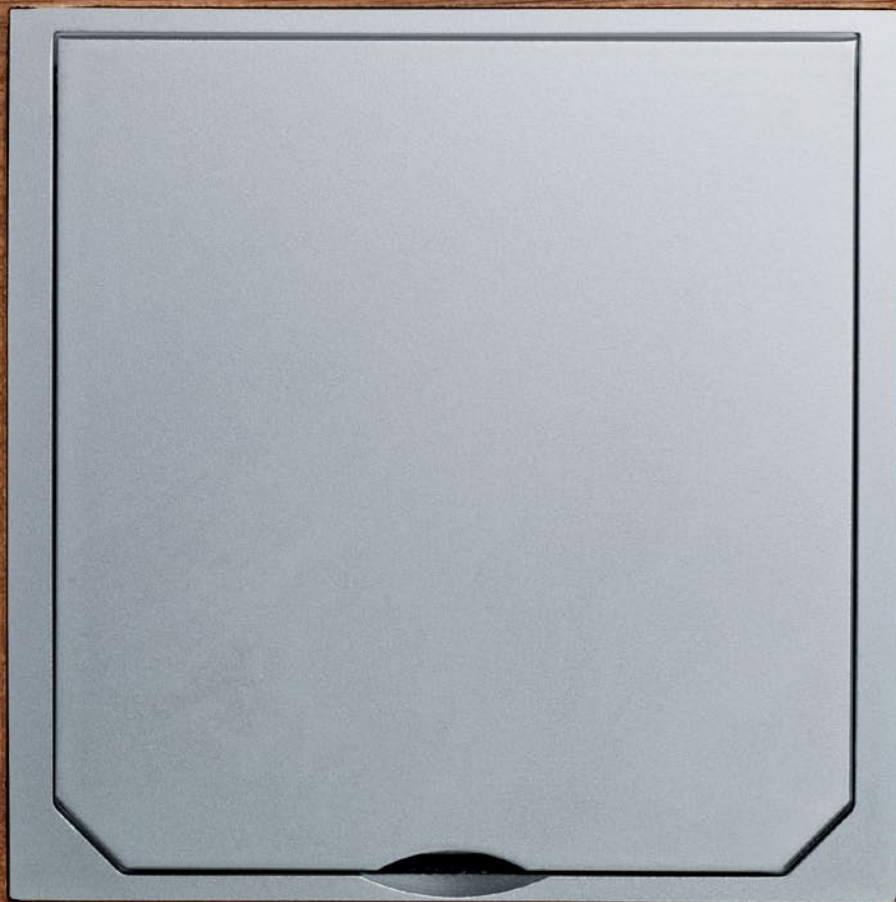


BOWA.112 RAL
IP 41

Article no. BWG XXXX | Weight 498 g
Packing unit 1

The technical specifications for BOWA RAL are identical to those for BOWA.112 Metal.

XXXX: Placeholder for the respective RAL colour.



BOWA.112 STAINLESS STEEL

We manufacture the BOWA.112 floor-mounted socket housings using the tried and true hand-casting method. By adding 10% aluminium we get our bronze-aluminium alloy products to weigh in at 15% less than pure copper alloys, resulting in excellent tensile strength and outstanding corrosion resistance.

Our BOWA series combines rugged design with high manufacturing accuracy as well as slip-proof safety with perfectly flush-mounted installation. Thanks to its modular design, any number of electrical sockets can be connected in a row. Alternatively, the housings can be used for TV, computer, projector or telephone sockets.

BOWA.112 METAL

112 x 112 mm



BOWA.112 stainless steel, matt
IP 41

Article no. 1632ESM | Weight 498 g
Packing unit 1



BOWA.112 platinum, matt
IP 41

Article no. 1632PL M | Weight 498 g
Packing unit 1



BOWA.112 brass, matt
IP 41

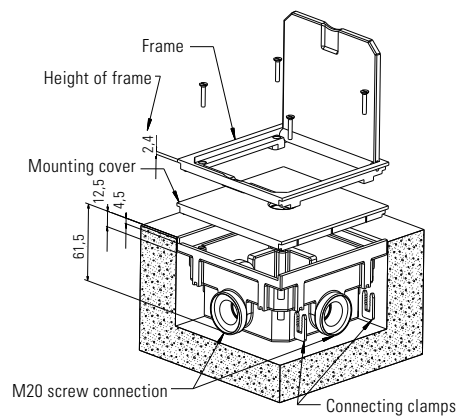
Article no. 1632MSM | Weight 498 g
Packing unit 1



BOWA.112 gold, matt
IP 41

Article no. 1632AUM | Weight 498 g
Packing unit 1


Mounting



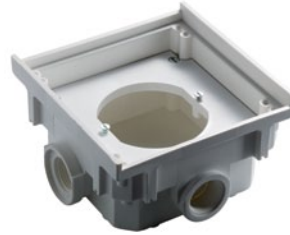
BOWA BASE.112

International bases



BOWA.112 base 
made of thermoplastic
with SCHUKO double socket outlet
with four M20 cable glands

Article no. 1632602 | Weight 281 g
Packing unit 1



BOWA.112 base
made of thermoplastic
with four M20 cable glands

Article no. 1632500 | Weight 187 g
Packing unit 1



**Multiple Standards
China / Europe / USA**
made of thermoplastic
with four M20 cable glands

Article no. 1632611 | Weight 290 g
Packing unit 1



China
made of thermoplastic
with four M20 cable glands

Article no. 1632621 | Weight 261 g
Packing unit 1



British Standard (BS 1363 A)
made of thermoplastic
with four M20 cable glands

Article no. 1632631 | Weight 263 g
Packing unit 1



Europe / USA
made of thermoplastic
with four M20 cable glands

Article no. 1632641 | Weight 276 g
Packing unit 1



**French / Belgium Standard
FR / BE / CZ / PL**
made of thermoplastic
with four M20 cable glands

Article no. 1632651 | Weight 295 g
Packing unit 1



Israel
made of thermoplastic
with four M20 cable glands

Article no. 1632661 | Weight 267 g
Packing unit 1



**USA
NEMA5-20R**
made of thermoplastic
with four M20 cable glands

Article no. 1632671 | Weight 276 g
Packing unit 1



BOWA.112 PLATINUM

With its stainless steel, brass, platinum or gold surfaces - available in addition to the full RAL colour range - BOWA.112 is especially suited for applications in hotels, museums, offices & conference rooms, public buildings and airports. Of course it is just as much at home in private living spaces, kitchens and lofts – and not only in floors, but also in walls. In fact, anywhere the highest demands are made on design and quality.

Any floor
Any surface
Any requirement
And any wall, too

Available in stainless steel, brass, platinum or gold
Full RAL colour range
For international standard electrical sockets
or as a housing for TV, projector, computer
and other connections
Flush-mounted installation in floors or walls
Hardwearing powder coating for high durability
Clip system for a perfect fit in side-by-side installations

Made in Germany

REFERENCES

National and international market



LEFT Intercontinental Berchtesgaden Resort, RIGHT Dubai airport

FURTHER REFERENCES KPMG Amstelveen, Holland · Hotel Grand Hyatt, Moscow · Hotel Motel One, Munich · Sagrada Familia, Barcelona
Elbphilharmonie, Hamburg

ABL SURSUM

Bayerische Elektrozubehör GmbH & Co. KG

Ottensooser Straße 22
91207 Lauf, Germany

P.O. box 10 02 47
91192 Lauf / Pegnitz

Telephone +49(0)9123 188-0
Fax +49(0)9123 188-188

info@abl-sursum.com
www.abl-sursum.com